

EU KONFORMITÄTSERKLÄRUNG
EU DECLARATION OF CONFORMITY

MENNEKES
Elektrotechnik GmbH & Co. KG
Aloys-Mennekes-Str. 1
D-57399 Kirchhundem / Germany
www.MENNEKES.de

Wir
We

Mennekes Elektrotechnik GmbH & Co. KG
Aloys-Mennekes-Straße 1
D-57399 Kirchhundem

erklären, dass die EU-Konformitätserklärung in alleiniger Verantwortung für das nachfolgende Produkt ausgestellt wurde:

declare that the EU Declaration of Conformity has been issued under sole responsibility for the following product:

Kupplung, Typ 14502
Connector, Type 14502

Das Produkt erfüllt die nachfolgend genannten einschlägigen Harmonisierungsrechtvorschriften der Union:

The product complies with the relevant harmonisation legislation of the Union as set out below

2014 / 35 / EU (LVD)

2011 / 65 / EU (RoHS)

Die nachfolgenden harmonisierten Normen wurden zugrunde gelegt:

The following harmonized standards were used as reference:

EN 60309-2:1999 + A1:2007 + A2:2012
EN IEC 63000:2018

Kirchhundem, 27.06.2024


i. A. André Fritzsche

David Sandells
STN Power Systems
Washington Business Centre
2 Turbine Way
Sunderland
SR5 3NZ

9th March 2026

Conformance of part EC1X03XX-0000-XX

This is to certify that part EC1X03XX-0000-XX, an electrical plug suitable for connecting to Electric Vehicle Supply Equipment (EVSE) and manufactured by:

Jonver
Tia n'an Digital City
No.55 Changshan Ave
High-Tech Zone
Jiangyin City

Complies with standard IEC62196-2, 'Plugs, socket-outlets, vehicle connectors and vehicle inlets - Conductive charging of electric vehicles'.

EC1X03XX-0000-XX is used in the manufacture of STN Product STN0081, 'OakEV Camper'.

A technical drawing of EC1X03XX-0000-XX is attached.

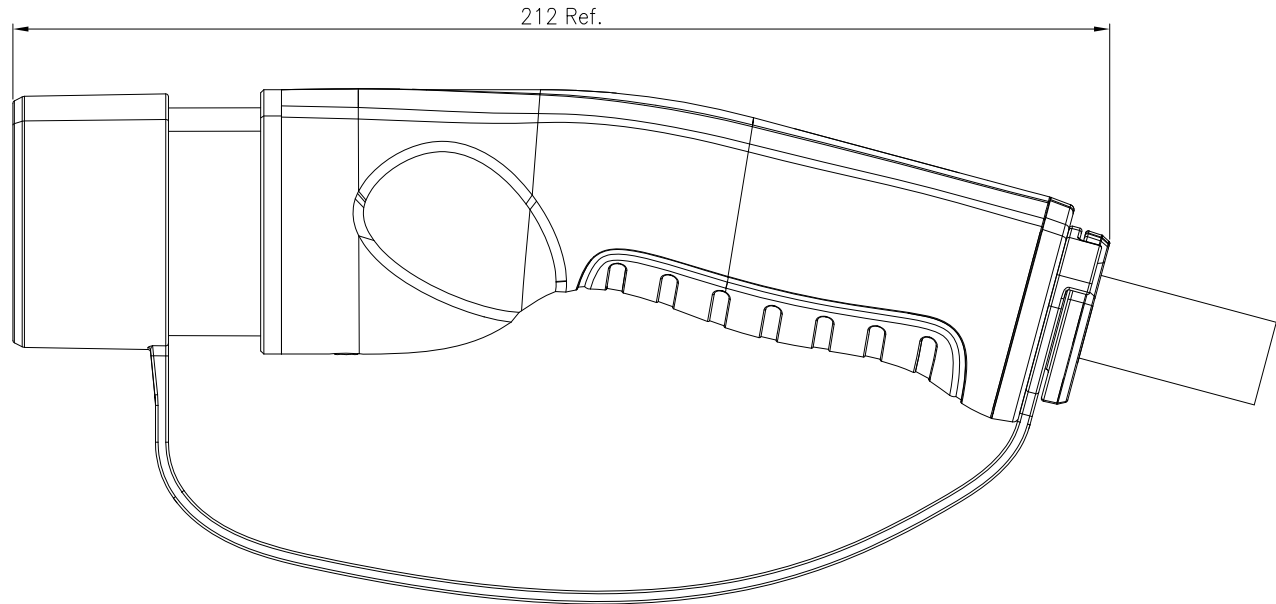
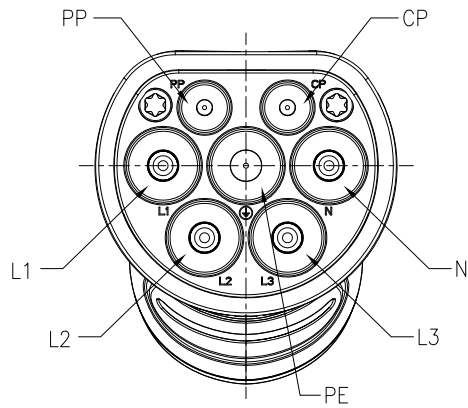


Dave Sandells

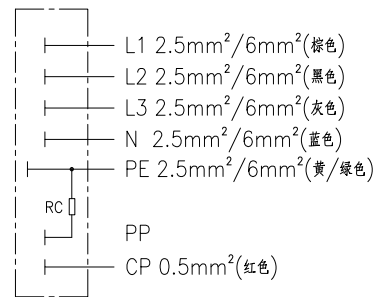
CEO STN Power Systems Limited



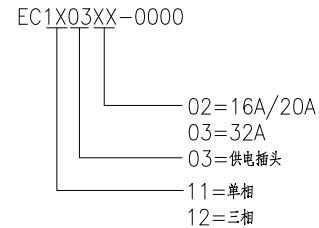
REV.	ECN NO.	DESCRIPTION	SIGE	DATE
C1	N/A	INITIAL DRAWING	Colin.Wu	2022/01/24
C2	N/A	产品升级, 外观变更	Colin.Wu	2022/08/09
C3	N/A	产品升级, 外观变更	Colin.Wu	2022/11/24



接线图:



料号说明:



技术要求:

1. 工作温度: -30°C~+50°C;
2. 额定电压/电流: 插孔CP, PP: 32V.DC 2A,
插孔L1,N,PE: 250V AC 16A/20A/32A(单相);
插孔L1,L2,L3,N,PE: 480V AC 16A/20A/32A(三相);
3. 耐压: 2000VAC 1Min, 漏电流≤5mA;
4. 绝缘电阻: ≥5MΩ at DC500V;
5. 插拔力<100N;
6. 防护等级: IP55;
7. 机械寿命: ≥10000次;
8. 设计标准参考: IEC 62196-2: 2016 SHEET 2-II b;
9. 产品需符合ROHS要求。

- 注: 1. 单相时, L2、L3空置;
2. 16A/20A时使用2.5mm²线缆, RC=680Ω;
3. 32A时使用6mm²线缆, RC=220Ω;

TOLERANCE	APPROVALS	DATE	JONVER			DESCRIPTION:
X. ±0.50 X.X ±0.30 X.XX ±0.20 X.XXX ±0.05	Colin.Wu	2022/01/24				歌标交流供电插头
ANGLES ±1°	Checked by:					PART NO
UNLESS OTHERWISE SPECIFIED	APPROVED BY:					EC1X03XX-0000-XX
	■: Inspection Item		UNIT mm SCALE 1:1	SIZE A3 SHEET 1 OF 1	TYPE C-	CUST PART NO -

EU Declaration of Conformity

1. Model:

Name: OakEV Camper
Model: STN0081

2. Manufacturer:

*STN Power Products Limited
Hybrid Unit 1
2 Turbine Way
Sunderland
SR5 3NZ*

3. This declaration of conformity is issued under the sole responsibility of the manufacturer.

4. Object of declaration (identification of EEE allowing traceability).

OakEV Camper

5. The object of the declaration described above is in conformity with relevant statutory requirements:

2014/35/EU Low Voltage Directive
2014/30/EU EMC Directive

6. Complies with the relevant sections of:

IEC 62196
IEC 61851-1:2018

7. The manufacturer applied the procedure for assessment of conformity with internal checks on manufacture. A conformity assessment body was not involved.

8. Additional information:

Signed for and on behalf of STN Power Products Limited
Place of issue: Sunderland, UK
Date of issue: 01/08/2025
Name: David Sandells
Function: CEO, STN Power Systems Limited

Signature: 