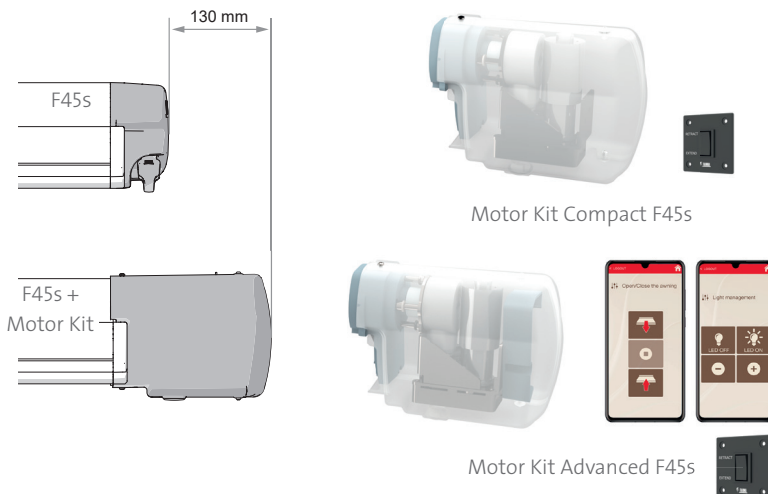




Motor Kit Compact / Advanced F45s

GENERAL INFORMATION

- 12V
- Available for F45s
- Weight: 1,9 -2kg
- Crank handle delivered as standard for manual emergency opening
- Noise level: < 57dB*
- Standard protection fuse from: 5A (to prevent damage to the motor/circuit)
- Suitable for F45s awnings of any length

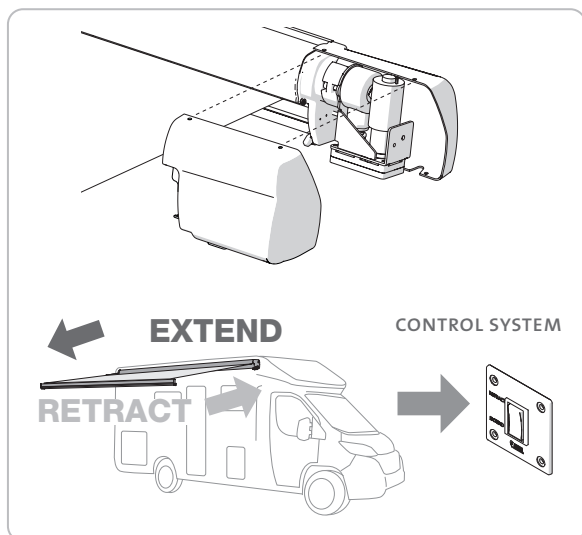


COLOURS:

- Polar White
- Titanium
- Deep Black

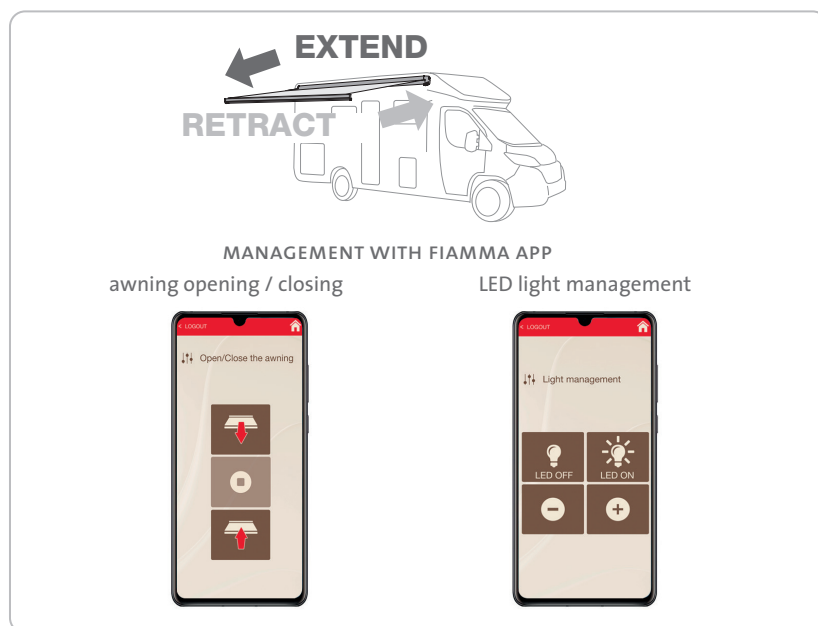
MOTOR KIT COMPACT F45s

Complete with wall control panel Control System, which allows you to conveniently operate the motor.



MOTOR KIT ADVANCED F45s

Thanks to the practical Fiamma App (for Android or iOS systems), it is possible to manage the F45s awning from your own device: opening and closing the awning, LED control (on/off/dimming) and Control System wall control.



Description	Colour	Weight	Item No.	EAN Code
Motor Kit Compact F45s	Polar White	1,9kg	08319-01P	8004815418687
	Titanium		08319-01T	8004815411909
	Deep Black		08319-01H	8004815418694
Motor Kit Compact F45s - RHD	Polar White	1,9kg	08319A01P	8004815422516
Motor Kit Advanced F45s	Polar White	2,0kg	08455-01P	8004815439019
	Titanium		08455-01T	8004815439026
	Deep Black		08455-01H	8004815439033

The Motor Kit is not suitable for Fiamma ZIP awnings
*measurement made at a distance of 1 meter



Motor Kit Compact F45s



Installation Motor Kit Compact



Installation Motor Kit Advanced

